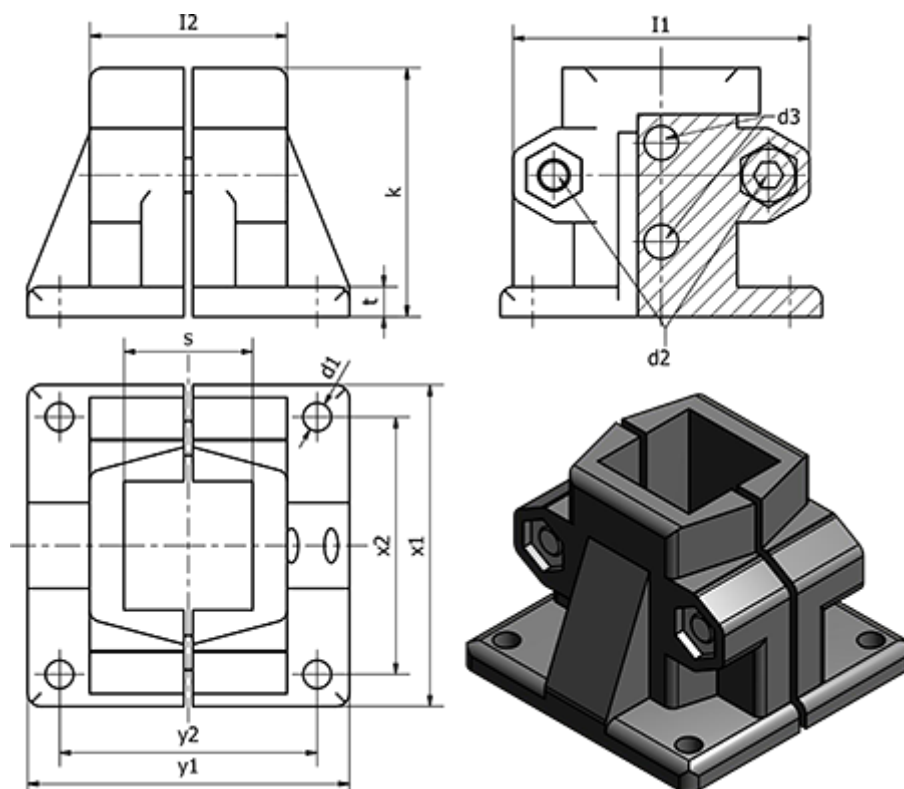


Article number: 201651V502SW

Description: E+G Tube connector - GN 165.1-V50-2-SW

Measures



Clamping kit for d2 = GN 911-M10-55	t	= 14	
d1	= 11	Weight (g) = 840	
d2	= M10	x1	= 115
d3	= M6	x2	= 90
l1	= 98	y1	= 119
l2	= 70	y2	= 90
k	= 91		
s	= V50		